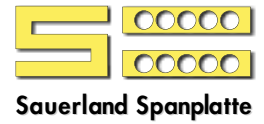
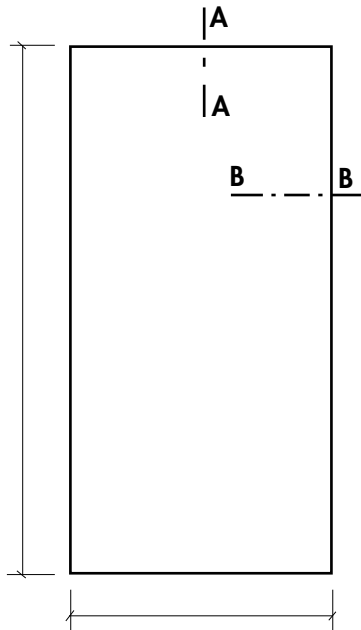


CLIMATE TEST : DOOR CONSTRUCTION



Number :

Date :



Size _____ x _____ x _____ mm

Edge rebated

Opening direct. outside

Core Type _____
 Size _____
 Humidity _____

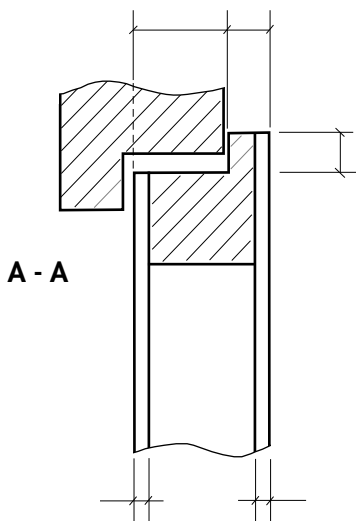
Skin / hardboard / HDF / MDF
 Thickness _____
 Aluminum-core: _____ mm
 Surface _____

Sealing Type _____
 Size _____

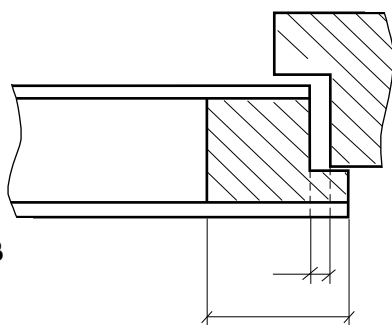
Stiles Material _____
 Internal stiles _____
 Lipping _____

Top rail _____
 Bottom rail _____

Remarks:



A - A



B - B