

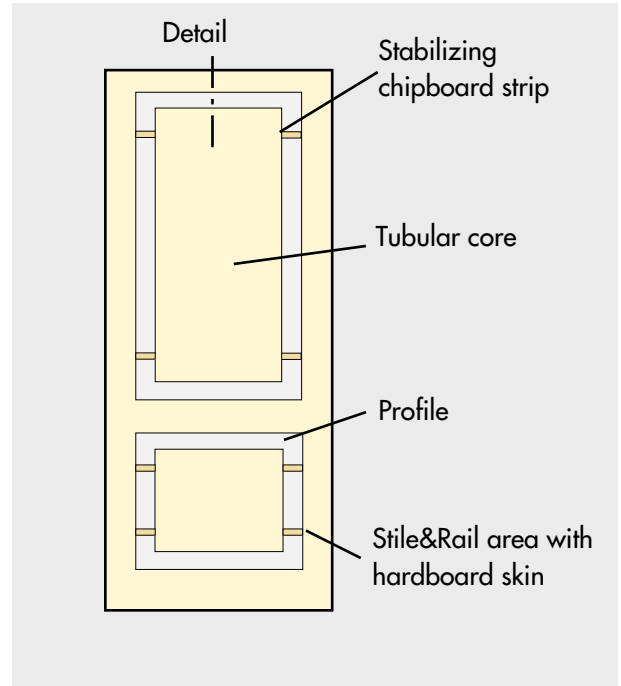
3D - Tube Core

MASONITE „Capri“

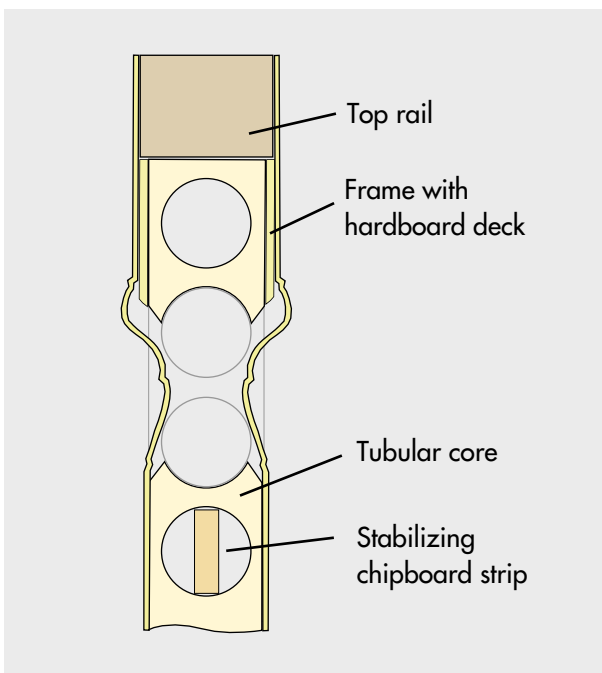
Door



Core Construction



Detail



Technical Data

Core thickness	38/28mm 1-1/2"/1-1/8"	48/38mm 1-7/8"/ 1-1/2"
Door thickness	45mm 1-3/4"	54mm 2-1/8"
Panel thickness	35mm 1-3/8"	44mm 1-3/4"
Height max.	2300mm 93"	2300mm 93"
Weight	kg/m ² lbs/ft ²	kg/m ² lbs/ft ²
Sound insul.	dB	dB